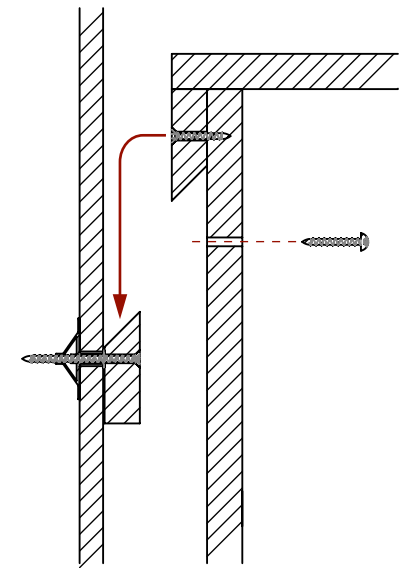
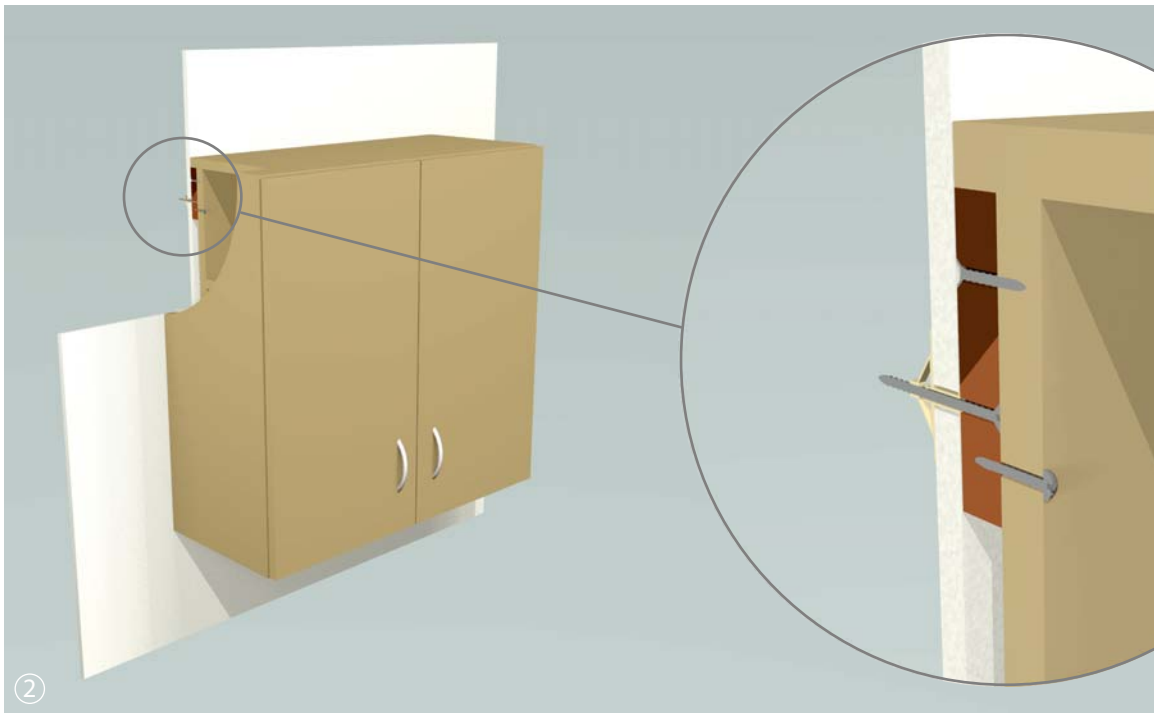


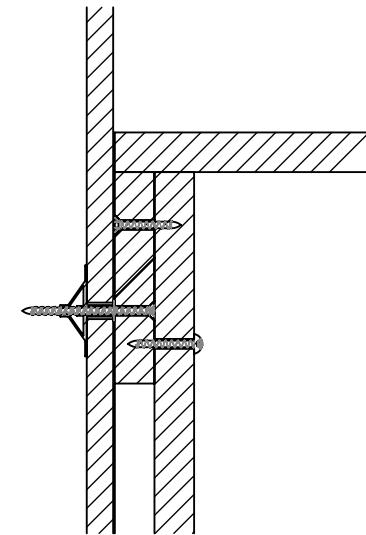
①



1. Lower cleat gets anchored to wall
Upper cleat gets attached to cabinetry



②



2. Cabinet is mounted to wall and secured
to lower cleat